

## 1079A Cast Iron Sluice Valve PN 1.0 (Flanged)

### Salient Features

- Design Standard IS 14846 PN 1.0.
- Bolted Bonnet, Inside Screw, Non-Rising Stem.
- Rigid and Sturdy design.
- Handwheel Operated.
- Flange Ends as per IS 1538.

Test Pressure (Hydrostatic) :

Shell : 1.5 MPa

Seat : 1.0 MPa

Maximum Working Temperature : 45°C

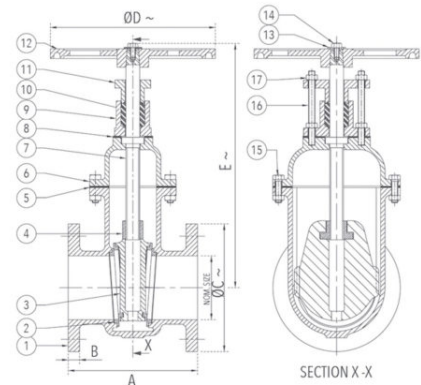
### Suitable For

Water



### Materials

P.No.	Name of Part	Material of Construction	Specification	Qty.
1	Body	Cast Iron	IS 210 Gr. FG 200	1
2	Seat Ring	Bronze	IS 318 Gr. LTB2	4
3	Wedge	Cast Iron	IS 210 Gr. FG 200	1
4	Stem Bush	Bronze	IS 318 Gr. LTB2	1
5	Gasket	Rubber	IS 638 Type B	1
6	Bonnet	Cast Iron	IS 210 Gr. FG 200	1
7	Stem	Stainless Steel	IS 6603 Gr. 12 Cr. 12	1
8	Gasket	Rubber	IS 638 Type B	1
9	Stuffing Box	Cast Iron	IS 210 Gr. FG 200	1
10	Gland Packing	Hemp & Jute	IS 5414	-
11	Gland Flange	Cast Iron	IS 210 Gr. FG 200	1
12	Handwheel	Cast Iron	IS 210 Gr. FG 200	1
13	Washer	Carbon Steel	- - -	1
14	Bolt	Carbon Steel	IS 1363 Part 1 Class 4.6	1
15	Bolt & Nut	Carbon Steel	IS 1363 Part 1 Class 4.6 IS 1363 Part 3 Class 4.0	As Reqd.
16	Stud / Bolt	Carbon Steel	IS 1363 Part 1 Class 4.6	2
17	Nut	Carbon Steel	IS 1363 Part 3 Class 4.0	As Reqd.



### Sizes / Dimensions

Size (Inches)	Size (mm)	A	B	ØC ~	ØD ~	E ~
2*	50	178 ±2	16 +2	165	225	336
2 1/2*	65	190 ±2	16 +2	185	225	355
3	80	203 ±2	21 ±3	200	225	390
4	100	229 ±2	22 ±3	220	320	440
5	125	254 ±2	22.5 ±3	250	320	485
6	150	267 ±2	23 ±3	285	320	560
8	200	292 ±2	24.5 ±3	340	360	690
10	250	330 ±2	26 ±3	395	400	795
12	300	356 ±2	27.5 ±3	445	400	867
14 <sup>1</sup>	350 <sup>1</sup>	381 ±3	29 ±3	505	500	942
16 <sup>1</sup>	400 <sup>1</sup>	406 ±3	30 ±3	565	640	1110
18 <sup>1</sup>	450 <sup>1</sup>	432 ±3	31.5 ±3	615	720	1175

Size (Inches)	Size (mm)	A	B	ØC ~	ØD ~	E ~
24 <sup>*1</sup>	600 <sup>*1</sup>	508 ±3	36 ±3	780	720	1480

\* Flanges as per IS 14846.

<sup>\*1</sup> IS Certification for these sizes is currently under process.

**NOTE :** Valve is also available with Brass Spindle at a nominal extra cost.